

MED-MAX 8000™

MED MIZER®

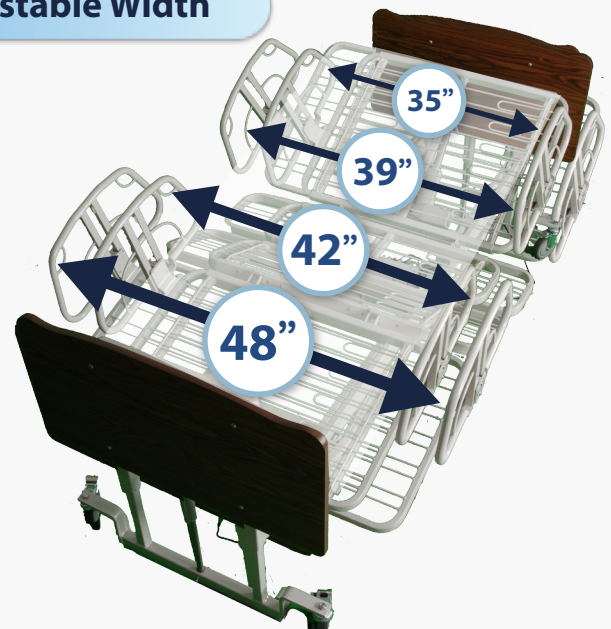
Offering the Ultimate
Solution To Bariatric Patients



Features

- Sleeping Surface is comprised of 4 aesthetically pleasing, smooth sided tubular "box" sections that adjust in seconds from 35" to 39", 42", and 48" widths.
- Clear span under bed provides unobstructed access for lifts over bed tables.
- Bed travels straight up and down avoiding caster movement and damaging walls during operation.
- Standard baseboard bumpers eliminate wall damage
- Because the low position is only 9" the bed can also be used as a standard high low bed
- For ease of portability the bed has a unique shipping and storage mode: Bed is comprised of 4 separate sections that bolt together in a package 1 1/2' x 3' x 4' high that rides on its own casters
- Assembly of bed frame takes approximately 15 minutes
- Delivery by 1 person is easy, as the sections are under 100 lbs and can be handled separately
- Four total lock, hospital grade, 5" casters are standard
- Easy removable head and foot boards incorporate a unique shape for pendant placement.

Adjustable Width





Setup & Delivery Made Easy

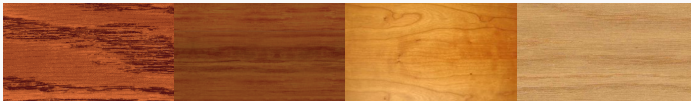
Setup:

- 15 minute assembly time
- Eight standardized bolts promote quick setup
- Four section design offers additional convenience

Delivery:

- 1 - person delivery
- Fold up feature
- Box- tubular frame construction

Headboards to Match Any Decor



English Oak

Mahogany

Cherry

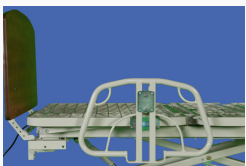
Light Oak

Med-Mizer offers standard head and foot boards in four different stains. However, custom head and foot boards are available.

Specifications

Deck Height Low	9" (Optional 14")
Deck Height High	30"
Sleeping Surface	35", 39", 42", 48" x 80"
Maximum Safe Working Load	800lbs

Accessories



2 position Side Guard



Electronic Scale



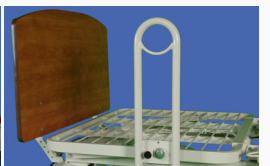
4" Bed Extender



Battery Backup



Bariatric Trapeze



Pivoting Assist Bar

Find Out More Today

Call Toll Free: **1-877-867-7365**

Or Email: **sales@med-mizer.com**

Warranty

- 15 year limited warranty on bed frame
- 3 years on drive system
- 1 year on wood products and casters
- Lifetime warranty on all welds

www.Med-Mizer.com